

PRESTAZIONI POMPE PUMPS PERFORMANCES

DATI TECNICI TECHNICAL DATA

| PUMP MODEL | engine power | | | | | limit HHS - HHP | | hydraulic performance | | | | | | | | | | | | | |
|------------|--------------|--------|-------|-------|--------|-----------------|--------|-----------------------|-----|------|-----|-----|-----|-----|-----|-----|------|-----|------|------|--|
| | electric | diesel | | | jockey | HHS - HHP | | Q: l/min | 250 | 275 | 300 | 350 | 400 | 450 | 500 | 600 | 700 | 750 | 900 | 990 | |
| | kW | type | kW NA | kW NB | kW | mc/h | l/min. | Q: mc/h | 15 | 16,5 | 18 | 21 | 24 | 27 | 30 | 36 | 42 | 45 | 54 | 59,4 | |
| 6G/4A | 7,5 | L | 6,2 | 6,7 | 0,75 | 32 | 534 | H:mca | 50 | 50 | 50 | 49 | 48 | 46 | 44 | 38 | 29,5 | 24 | | | |
| 6G/6A | 11 | L | 10,4 | 11,5 | 1,1 | 32 | 534 | | 76 | 75 | 75 | 74 | 72 | 69 | 66 | 57 | 44,5 | 36 | | | |
| 6G/8A | 11 | L | 13,6 | 15 | 1,5 | 32 | 534 | | 101 | 100 | 100 | 98 | 96 | 92 | 88 | 76 | 59 | 48 | | | |
| 6G/10A | 15 | L | 17 | 18,9 | 2,2 | 32 | 534 | | 126 | 125 | 125 | 122 | 119 | 116 | 111 | 96 | 74 | 60 | | | |
| 6G/12A | 18,5 | L | 17 | 18,9 | 2,2 | 32 | 534 | | 151 | 150 | 149 | 148 | 143 | 138 | 133 | 115 | 89 | 72 | | | |
| 6C/4A | 11 | L | 10,4 | 11,5 | 0,75 | 42 | 700 | | | | | 55 | 55 | 54 | 53 | 50 | 47 | 45 | 42,5 | 37,5 | |
| 6C/6A | 15 | L | 13,6 | 15 | 1,5 | 42 | 700 | | | | | 83 | 82 | 81 | 80 | 76 | 70 | 68 | 64 | 56 | |
| 6C/8A | 18,5 | L | 17 | 18,9 | 1,5 | 42 | 700 | | | | | 111 | 109 | 108 | 106 | 101 | 94 | 89 | 85 | 75 | |
| 6C/10A | 30 | L | 24 | 26 | 2,2 | 42 | 700 | | | | | 138 | 137 | 135 | 133 | 126 | 117 | 114 | 107 | 93 | |

| PUMP MODEL | engine power | | | | | limit HHS - HHP | | hydraulic performance | | | | | | | | | | | | |
|------------|--------------|--------|-------|-------|--------|-----------------|--------|-----------------------|------|------|------|------|------|------|------|------|------|------|------|--|
| | electric | diesel | | | jockey | HHS - HHP | | Q: l/min | 500 | 600 | 700 | 800 | 900 | 1000 | 1200 | 1400 | 1600 | 1800 | | |
| | kW | type | kW NA | kW NB | kW | mc/h | l/min. | Q: mc/h | 30 | 36 | 42 | 48 | 54 | 60 | 72 | 84 | 96 | 108 | | |
| 7L/3A | 11 | L | 10,4 | 11,5 | 0,75 | 54 | 900 | H:mca | 54,5 | 53,5 | 51,5 | 49,5 | 46,5 | 43 | 34,5 | 24,5 | | | | |
| 7L/4A | 15 | L | 13,6 | 15 | 1,1 | 54 | 900 | | 73 | 71 | 69 | 66 | 62 | 57 | 46,5 | 32,5 | | | | |
| 7L/5A | 18,5 | L | 17 | 18,9 | 1,5 | 54 | 900 | | 91 | 89 | 86 | 82 | 78 | 72 | 58 | 41 | | | | |
| 7L/6A | 22 | L | 24 | 26 | 1,5 | 54 | 900 | | 109 | 107 | 103 | 99 | 93 | 86 | 69 | 49 | | | | |
| 7L/7A | 30 | L | 24 | 26 | 2,2 | 54 | 900 | | 128 | 124 | 120 | 115 | 109 | 101 | 81 | 57 | | | | |
| 7L/8A | 30 | V | 33 | 37 | 2,2 | 54 | 900 | | 146 | 142 | 137 | 132 | 124 | 115 | 93 | 65 | | | | |
| 7L/9A | 30 | V | 33 | 37 | 2,2 | 54 | 900 | | 164 | 160 | 154 | 148 | 140 | 129 | 104 | 73 | | | | |
| 7C/2A | 11 | L | 10,4 | 11,5 | 0,75 | 75 | 1250 | | | | | 39 | 38,5 | 37,5 | 36,5 | 34,5 | 31 | 26,5 | 21 | |
| 7C/3A | 18,5 | L | 17 | 18,9 | 0,75 | 75 | 1250 | | | | | 58 | 57 | 56 | 55 | 52 | 47 | 40 | 31,5 | |
| 7C/4A | 22 | L | 24 | 26 | 1,1 | 75 | 1250 | | | | 78 | 77 | 75 | 73 | 69 | 62 | 53 | 42 | | |
| 7C/5A | 30 | V | 33 | 37 | 1,5 | 75 | 1250 | | | | 97 | 96 | 94 | 92 | 86 | 78 | 67 | 53 | | |
| 7C/6A | 37 | V | 33 | 37 | 1,5 | 75 | 1250 | | | | 117 | 115 | 113 | 110 | 103 | 94 | 80 | 63 | | |
| 7C/7A | 37 | V | 48 | 53 | 2,2 | 75 | 1250 | | | | 136 | 134 | 132 | 128 | 120 | 109 | 93 | 74 | | |

| PUMP MODEL | engine power | | | | | limit HHS - HHP | | hydraulic performance | | | | | | | | | | | | | |
|------------|--------------|--------|-------|-------|--------|-----------------|--------|-----------------------|-----|-----|------|-----|-----|------|------|------|------|------|------|------|------|
| | electric | diesel | | | jockey | HHS - HHP | | Q: l/min | 500 | 600 | 700 | 800 | 900 | 1000 | 1100 | 1200 | 1300 | 1400 | 1500 | 1600 | 1700 |
| | kW | type | kW NA | kW NB | kW | mc/h | l/min. | Q: mc/h | 30 | 36 | 42 | 48 | 54 | 60 | 66 | 72 | 78 | 84 | 90 | 96 | 102 |
| 8B/2A | 11 | L | 10,4 | 11,5 | 0,75 | 60 | 1000 | H:mca | 50 | 49 | 47,5 | 46 | 44 | 42 | 39,5 | 37 | 34 | 30 | 25,5 | | |
| 8B/3A | 18,5 | L | 17 | 18,9 | 1,1 | 60 | 1000 | | 75 | 73 | 71 | 69 | 66 | 63 | 59 | 56 | 50 | 45 | 38 | | |
| 8B/4A | 22 | L | 24 | 26 | 1,5 | 60 | 1000 | | 100 | 98 | 95 | 92 | 88 | 84 | 79 | 75 | 68 | 60 | 51 | | |
| 8B/5A | 30 | V | 33 | 37 | 2,2 | 60 | 1000 | | 125 | 122 | 119 | 115 | 110 | 105 | 99 | 93 | 85 | 76 | 64 | | |
| 8B/6A | 37 | V | 33 | 37 | 2,2 | 60 | 1000 | | 151 | 147 | 142 | 138 | 132 | 126 | 119 | 110 | 102 | 90 | 76 | | |
| 8F/2A | 15 | L | 13,6 | 15 | 0,75 | 72 | 1200 | | | | | 48 | 47 | 45,5 | 43,5 | 41,5 | 39 | 36,5 | 34 | 30 | 26,5 |
| 8F/3A | 18,5 | L | 17 | 18,9 | 1,1 | 72 | 1200 | | | | | 72 | 70 | 68 | 65 | 62 | 58 | 54 | 50 | 45 | 40 |
| 8F/4A | 30 | L | 24 | 26 | 1,5 | 72 | 1200 | | | | | 96 | 94 | 91 | 87 | 83 | 78 | 73 | 67 | 60 | 53 |
| 8F/5A | 30 | V | 33 | 37 | 1,5 | 72 | 1200 | | | | | 120 | 117 | 113 | 108 | 104 | 97 | 91 | 83 | 75 | 67 |
| 8F/6A | 37 | V | 48 | 53 | 2,2 | 72 | 1200 | | | | | 144 | 141 | 136 | 130 | 124 | 117 | 109 | 100 | 90 | 80 |

PRESTAZIONI POMPE
PUMPS PERFORMANCES

DATI TECNICI TECHNICAL DATA

| PUMP MODEL | engine power | | | | | limit HHS - HHP | | hydraulic performance | | | | | | | | | | | |
|------------|--------------|--------|-------|-------|--------|-----------------|--------|-----------------------|-----|------|------|------|------|------|------|------|------|------|--|
| | electric | diesel | | | jockey | HHS - HHP | | Q: l/min | 800 | 1000 | 1200 | 1400 | 1600 | 1800 | 2000 | 2200 | 2400 | 2600 | |
| | kW | type | kW NA | kW NB | kW | mc/h | l/min. | Q: mc/h | 48 | 60 | 72 | 84 | 96 | 108 | 120 | 132 | 144 | 156 | |
| 8L/2A | 15 | L | 13,6 | 15 | 0,75 | 90 | 1500 | H:mca | 46 | 44,5 | 42,5 | 40 | 36,5 | 32,5 | 27,5 | 21,5 | | | |
| 8L/3A | 22 | L | 24 | 26 | 1,1 | 90 | 1500 | | 69 | 67 | 64 | 60 | 55 | 48,5 | 41,5 | 32,5 | | | |
| 8L/4A | 30 | V | 33 | 37 | 1,5 | 90 | 1500 | | 92 | 89 | 85 | 80 | 73 | 65 | 55 | 43 | | | |
| 8L/5A | 37 | V | 33 | 37 | 1,5 | 90 | 1500 | | 115 | 112 | 106 | 100 | 91 | 81 | 69 | 54 | | | |
| 8L/6A | 45 | V | 48 | 53 | 2,2 | 90 | 1500 | | 138 | 134 | 128 | 119 | 109 | 97 | 83 | 65 | | | |
| 8C/2A | 18,5 | L | 17 | 18,9 | 0,75 | 111 | 1850 | | | | 48,5 | 47 | 45 | 42,5 | 40 | 36,5 | 32,5 | 28,5 | |
| 8C/3A | 30 | V | 33 | 37 | 1,1 | 111 | 1850 | | | | 73 | 71 | 68 | 64 | 59,5 | 55 | 49 | 42,5 | |
| 8C/4A | 37 | V | 48 | 53 | 1,5 | 111 | 1850 | | | | 97 | 94 | 90 | 85 | 80 | 73 | 65 | 57 | |
| 8C/5A | 45 | V | 48 | 53 | 2,2 | 111 | 1850 | | | | 121 | 118 | 113 | 107 | 100 | 91 | 82 | 71 | |
| 8C/6A | 55 | V | 65 | 73 | 2,2 | 111 | 1850 | | | | 145 | 141 | 135 | 128 | 119 | 109 | 98 | 85 | |

| PUMP MODEL | engine power | | | | | limit HHS - HHP | | hydraulic performance | | | | | | | | | | |
|------------|--------------|--------|-------|-------|--------|-----------------|--------|-----------------------|------|------|------|------|------|------|------|------|------|------|
| | electric | diesel | | | jockey | HHS - HHP | | Q: l/min | 2500 | 3000 | 3500 | 4000 | 4500 | 5000 | 5500 | 6000 | 6500 | 7000 |
| | kW | type | kW NA | kW NB | kW | mc/h | l/min. | Q: mc/h | 150 | 180 | 210 | 240 | 270 | 300 | 330 | 360 | 390 | 420 |
| 10F/1B | 37 | V | 33 | 37 | 0,75 | 275 | 4584 | H:mca | 37 | 36 | 34 | 32,5 | 30,5 | 28,5 | 25,5 | 23 | 20 | 15,5 |
| 10F/1A | 45 | V | 48 | 53 | 0,75 | 275 | 4584 | | 41 | 39,5 | 38 | 36,5 | 34,5 | 32,5 | 30 | 27 | 24,5 | 20,5 |
| 10F/2E | 45 | V | 48 | 53 | 0,75 | 240 | 4000 | | 55 | 52 | 48 | 44 | 39,5 | 34 | 26,5 | 18,5 | | |
| 10F/2CD | 55 | V | 65 | 73 | 1,1 | 252 | 4200 | | 64 | 61 | 57 | 54 | 49,5 | 45 | 39 | 32,5 | 24,5 | |
| 10F/2BC | 75 | V | 65 | 73 | 1,1 | 252 | 4200 | | 71 | 68 | 65 | 61 | 57 | 53 | 47 | 41,5 | 34,5 | |
| 10F/3CD | 90 | V | 100 | 110 | 1,5 | 252 | 4200 | | 95 | 91 | 86 | 80 | 74 | 67 | 58 | 49 | 37 | |
| 10F/3B | 110 | V | 100 | 110 | 1,5 | 275 | 4584 | | 111 | 108 | 103 | 97 | 92 | 85 | 77 | 69 | 59 | 47 |

| PUMP MODEL | engine power | | | | | limit HHS - HHP | | hydraulic performance | | | | | | | | |
|------------|--------------|--------|-------|-------|--------|-----------------|--------|-----------------------|------|------|------|------|------|------|------|------|
| | electric | diesel | | | jockey | HHS - HHP | | Q: l/min | 2400 | 3000 | 3500 | 4000 | 4500 | 5000 | 5500 | 5700 |
| | kW | type | kW NA | kW NB | kW | mc/h | l/min. | Q: mc/h | 144 | 180 | 213 | 240 | 270 | 300 | 330 | 342 |
| 12B/1B | 37 | V | 48 | 53 | 0,75 | 213 | 3550 | H:mca | 53 | 50 | 46 | 42 | 37 | 31 | 23,5 | |
| 12B/1A | 45 | V | 48 | 53 | 0,75 | 213 | 3550 | | 58 | 55 | 51 | 47 | 42 | 36,5 | 29 | 26,5 |
| 12B/2C | 75 | V | 65 | 73 | 1,5 | 213 | 3550 | | 94 | 89 | 81 | 72 | 62 | 49,5 | | |
| 12B/2B | 75 | V | 100 | 110 | 1,5 | 213 | 3550 | | 106 | 100 | 92 | 84 | 74 | 63 | 47 | |
| 12B/3C | 110 | V | 100 | 110 | 2,2 | 213 | 3550 | | 141 | 133 | 121 | 108 | 93 | 74 | | |

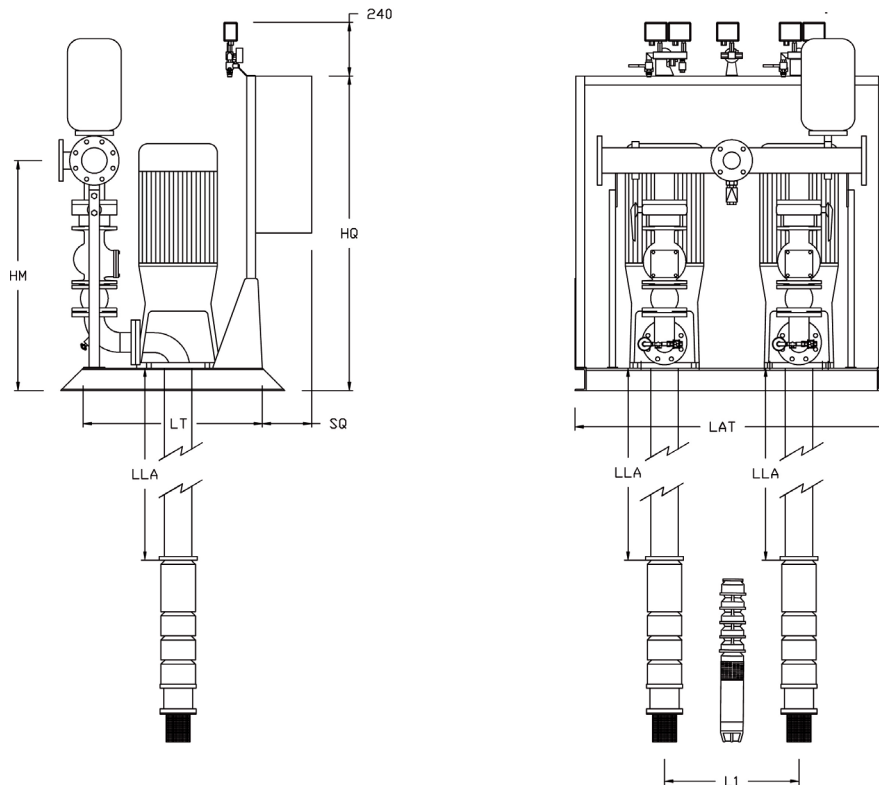
DROFIRE VTS P2E

DATI TECNICI TECHNICAL DATA

| MODELLO GRUPPO | ELETTROPOMPA | | | ELETTROPOMPA PILOTA | | LINEA D'ASSE | KIT FLUSSIMETRO |
|-----------------------------|----------------------------------|---------------------------|-----|------------------------|------|-----------------|--------------------|
| | motore elettrico | gruppo di comando | | JOCKEY PUMP | | LINESHAFT | FLOW METER KIT |
| | ELECTRIC PUMP electric engine | drive unit on the surface | | | | | |
| VTS P2E | kW | mod. | DN | mod. | kW | mod. | mod. |
| EN VTS P2E 6G/4A EC+S4/11 | 7,5 | E13/38/3L/20A | 80 | S4/11 | 0,75 | LA3/20 | CM50 - V50 |
| EN VTS P2E 6G/6A EC+S4/16 | 11 | E18/42/3L/20A | 80 | S4/16 | 1,1 | LA3/20 | CM50 - V50 |
| EN VTS P2E 6G/8A EC+S4/21 | 11 | E18/42/3L/20A | 80 | S4/21 | 1,5 | LA3/20 | CM50 - V50 |
| EN VTS P2E 6G/10A EC+S4/32 | 15 | E18/42/3L/20A | 80 | S4/32 | 2,2 | LA3/20 | CM50 - V50 |
| EN VTS P2E 6G/12A EC+S4/32 | 18,5 | E18/42/3L/20A | 80 | S4/32 | 2,2 | LA3/20 | CM50 - V50 |
| EN VTS P2E 6C/4A EC+S4/11 | 11 | E18/42/3L/20A | 80 | S4/11 | 0,75 | LA3/20 | CM65 - V50 |
| EN VTS P2E 6C/6A EC+S4/21 | 15 | E18/42/3L/20A | 80 | S4/21 | 1,5 | LA3/20 | CM65 - V50 |
| EN VTS P2E 6C/8A EC+S4/21 | 18,5 | E18/48/3L/20A | 80 | S4/21 | 1,5 | LA3/20 | CM65 - V50 |
| EN VTS P2E 6C/10A EC+S4/32 | 30 | E20/55/3/24 | 100 | S4/32 | 2,2 | LA3/24 | CM65 - V50 |
| EN VTS P2E 7L/3A EC+S4/11 | 11 | E18/42/3L/20A | 80 | S4/11 | 0,75 | LA3/20 | CM65 - V65 |
| EN VTS P2E 7L/4A EC+S4/16 | 15 | E18/42/3L/20A | 80 | S4/16 | 1,1 | LA3/20 | CM65 - V65 |
| EN VTS P2E 7L/5A EC+S4/21 | 18,5 | E18/42/3L/20A | 80 | S4/21 | 1,5 | LA3/20 | CM65 - V65 |
| EN VTS P2E 7L/6A EC+S4/21 | 22 | E18/48/3L/20A | 80 | S4/21 | 1,5 | LA3/20 | CM65 - V65 |
| EN VTS P2E 7L/7A EC+S4/32 | 30 | E20/55/3/24 | 100 | S4/32 | 2,2 | LA3/24 | CM65 - V65 |
| EN VTS P2E 7L/8A EC+S4/32 | 30 | E20/55/3/24 | 100 | S4/32 | 2,2 | LA3/24 | CM65 - V65 |
| EN VTS P2E 7L/9A EC+S4/32 | 30 | E20/55/3/24 | 100 | S4/32 | 2,2 | LA3/24 | CM65 - V65 |
| EN VTS P2E 7C/2A EC+S4/11 | 11 | E18/42/4L/20A | 100 | S4/11 | 0,75 | LA4/20 | CM80 - V65 |
| EN VTS P2E 7C/3A EC+S4/11 | 18,5 | E18/42/4L/20A | 100 | S4/11 | 0,75 | LA4/20 | CM80 - V65 |
| EN VTS P2E 7C/4A EC+S4/16 | 22 | E18/48/4L/20A | 100 | S4/16 | 1,1 | LA4/20 | CM80 - V65 |
| EN VTS P2E 7C/5A EC+S4/21 | 30 | E20/55/4/24 | 100 | S4/21 | 1,5 | LA4/24 | CM80 - V65 |
| EN VTS P2E 7C/6A EC+S4/21 | 37 | E20/55/4/24 | 100 | S4/21 | 1,5 | LA4/24 | CM80 - V65 |
| EN VTS P2E 7C/7A EC+S4/32 | 37 | E22/55/4/24 | 100 | S4/32 | 2,2 | LA4/24 | CM80 - V65 |
| EN VTS P2E 8B/2A EC+S4/11 | 11 | E18/42/3L/20A | 80 | S4/11 | 0,75 | LA3/20 | CM65 - V65 |
| EN VTS P2E 8B/3A EC+S4/16 | 18,5 | E18/42/3L/20A | 80 | S4/16 | 1,1 | LA3/20 | CM65 - V65 |
| EN VTS P2E 8B/4A EC+S4/21 | 22 | E18/48/3L/20A | 80 | S4/21 | 1,5 | LA3/20 | CM65 - V65 |
| EN VTS P2E 8B/5A EC+S4/32 | 30 | E20/55/3/24 | 100 | S4/32 | 2,2 | LA3/24 | CM65 - V65 |
| EN VTS P2E 8B/6A EC+S4/32 | 37 | E20/55/3/24 | 100 | S4/32 | 2,2 | LA3/24 | CM65 - V65 |
| EN VTS P2E 8F/2A EC+S4/11 | 15 | E18/42/4L/20A | 100 | S4/11 | 0,75 | LA4/20 | CM80 - V65 |
| EN VTS P2E 8F/3A EC+S4/16 | 18,5 | E18/42/4L/20A | 100 | S4/16 | 1,1 | LA4/20 | CM80 - V65 |
| EN VTS P2E 8F/4A EC+S4/21 | 30 | E20/55/4/24 | 100 | S4/21 | 1,5 | LA4/24 | CM80 - V65 |
| EN VTS P2E 8F/5A EC+S4/21 | 30 | E20/55/4/24 | 100 | S4/21 | 1,5 | LA4/24 | CM80 - V65 |
| EN VTS P2E 8F/6A EC+S4/32 | 37 | E20/55/4/24 | 100 | S4/32 | 2,2 | LA4/24 | CM80 - V65 |
| EN VTS P2E 8L/2A EC+S4/11 | 15 | E18/42/5/20A | 125 | S4/11 | 0,75 | LA5/20 | CM80 - V80 |
| EN VTS P2E 8L/3A EC+S4/16 | 22 | E18/48/5/20A | 125 | S4/16 | 1,1 | LA5/20 | CM80 - V80 |
| EN VTS P2E 8L/4A EC+S4/21 | 30 | E20/55/5/24 | 125 | S4/21 | 1,5 | LA5/24 | CM80 - V80 |
| EN VTS P2E 8L/5A EC+S4/21 | 37 | E20/55/5/24 | 125 | S4/21 | 1,5 | LA5/24 | CM80 - V80 |
| EN VTS P2E 8L/6A EC+S4/32 | 45 | E22/55/5/30 | 125 | S4/32 | 2,2 | LA5/24 | CM80 - V80 |
| EN VTS P2E 8C/2A EC+S4/11 | 18,5 | E18/42/5/20A | 125 | S4/11 | 0,75 | LA5/20 | CM100 - V80 |
| EN VTS P2E 8C/3A EC+S4/16 | 30 | E20/55/5/24 | 125 | S4/16 | 1,1 | LA5/24 | CM100 - V80 |
| EN VTS P2E 8C/4A EC+S4/21 | 37 | E22/55/5/30 | 125 | S4/21 | 1,5 | LA5/24 | CM100 - V80 |
| EN VTS P2E 8C/5A EC+S4/32 | 45 | E28/60/5/30 | 150 | S4/32 | 2,2 | LA5/30 | CM100 - V80 |
| EN VTS P2E 8C/6A EC+S4/32 | 55 | E28/60/5/30 | 150 | S4/32 | 2,2 | LA5/30 | CM100 - V80 |
| EN VTS P2E 10F/1B EC+S4/11 | 37 | E20/55/6/24 | 150 | S4/11 | 0,75 | LA6/24 | CM150 - V125 |
| EN VTS P2E 10F/1A EC+S4/11 | 45 | E22/55/6/30 | 150 | S4/11 | 0,75 | LA6/30 | CM150 - V125 |
| EN VTS P2E 10F/2E EC+S4/11 | 45 | E22/55/6/30 | 150 | S4/11 | 0,75 | LA6/30 | CM150 - V125 |
| EN VTS P2E 10F/2CD EC+S4/16 | 55 | E28/60/6/30 | 150 | S4/16 | 1,1 | LA6/30 | CM150 - V125 |
| EN VTS P2E 10F/2BC EC+S4/16 | 75 | E28/65A/6/30 | 150 | S4/16 | 1,1 | LA6/30 | CM150 - V125 |
| EN VTS P2E 10F/3CD EC+S4/21 | 90 | E28/65A/6/30 | 150 | S4/21 | 1,5 | LA6/30 | CM150 - V125 |
| EN VTS P2E 10F/3B EC+S4/21 | 110 | E28/65A/6/30 | 150 | S4/21 | 1,5 | LA6/30 | CM150 - V125 |
| EN VTS P2E 12B/1B EC+S4/11 | 37 | E20/55/7/30 | 175 | S4/11 | 0,75 | LA7/30 | CM125 - V125 |
| EN VTS P2E 12B/1A EC+S4/11 | 45 | E22/55/7/30 | 175 | S4/11 | 0,75 | LA7/30 | CM125 - V125 |
| EN VTS P2E 12B/2C EC+S4/21 | 75 | E28/65A/7/30 | 200 | S4/21 | 1,5 | LA7/30 | CM125 - V125 |
| EN VTS P2E 12B/2B EC+S4/21 | 75 | E28/65A/7/30 | 200 | S4/21 | 1,5 | LA7/30 | CM125 - V125 |
| EN VTS P2E 12B/3C EC+S4/32 | 110 | E28/65A/7/35 | 200 | S4/32 | 2,2 | LA7/30 | CM125 - V125 |

IDROFIRE VTS P2E

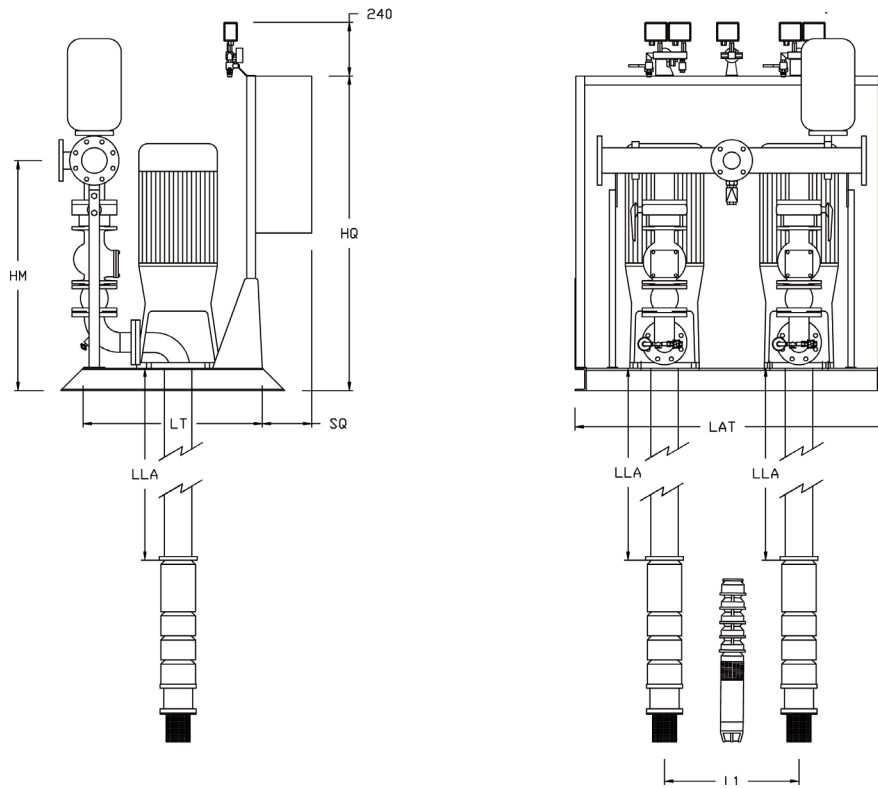
DIMENSIONI DIMENSIONS



| MODELLO GRUPPO | MANDATA kit valvole | collettore | PILOTA | HM | LAT | LT | LC | L1 | HQ | SQ | LLA |
|----------------------------|------------------------|------------|-------------|------|------|------|------|-----|------|-----|------|
| MODEL GROUP | DELIVERY valves kit | manifold | JOCKEY PUMP | HM | LAT | LT | LC | L1 | HQ | SQ | LLA |
| VTS P2E | DN | DN | DN AxM | mm | mm | mm | mm | mm | mm | mm | mm |
| EN VTS P2E 6G/4A EC+S4/11 | 50 | 80 - F50 | 1¼" | 997 | 1100 | 800 | 1000 | 500 | 1400 | 230 | 3050 |
| EN VTS P2E 6G/6A EC+S4/16 | 50 | 80 - F50 | 1¼" | 997 | 1100 | 800 | 1000 | 500 | 1400 | 230 | 3050 |
| EN VTS P2E 6G/8A EC+S4/21 | 50 | 80 - F50 | 1¼" | 997 | 1100 | 800 | 1000 | 500 | 1400 | 230 | 3050 |
| EN VTS P2E 6G/10A EC+S4/32 | 50 | 80 - F50 | 1¼" | 997 | 1100 | 800 | 1000 | 500 | 1400 | 230 | 3050 |
| EN VTS P2E 6G/12A EC+S4/32 | 50 | 80 - F50 | 1¼" | 997 | 1100 | 800 | 1000 | 500 | 1400 | 230 | 3050 |
| EN VTS P2E 6C/4A EC+S4/11 | 65 | 80 - F50 | 1¼" | 1050 | 1100 | 800 | 1000 | 500 | 1400 | 230 | 3050 |
| EN VTS P2E 6C/6A EC+S4/21 | 65 | 80 - F50 | 1¼" | 1050 | 1100 | 800 | 1000 | 500 | 1400 | 230 | 3050 |
| EN VTS P2E 6C/8A EC+S4/21 | 65 | 80 - F50 | 1¼" | 1050 | 1100 | 900 | 1000 | 500 | 1400 | 230 | 3050 |
| EN VTS P2E 6C/10A EC+S4/32 | 65 | 80 - F50 | 1¼" | 1031 | 1100 | 900 | 1000 | 500 | 1400 | 230 | 3050 |
| EN VTS P2E 7L/3A EC+S4/11 | 80 | 100 - F65 | 1¼" | 1047 | 1100 | 800 | 1000 | 500 | 1400 | 230 | 3050 |
| EN VTS P2E 7L/4A EC+S4/16 | 80 | 100 - F65 | 1¼" | 1047 | 1100 | 800 | 1000 | 500 | 1400 | 230 | 3050 |
| EN VTS P2E 7L/5A EC+S4/21 | 80 | 100 - F65 | 1¼" | 1047 | 1100 | 800 | 1000 | 500 | 1400 | 230 | 3050 |
| EN VTS P2E 7L/6A EC+S4/21 | 80 | 100 - F65 | 1¼" | 1047 | 1100 | 900 | 1000 | 500 | 1400 | 230 | 3050 |
| EN VTS P2E 7L/7A EC+S4/32 | 80 | 100 - F65 | 1¼" | 1047 | 1100 | 1100 | 1000 | 500 | 1400 | 230 | 3050 |
| EN VTS P2E 7L/8A EC+S4/32 | 80 | 100 - F65 | 1¼" | 1047 | 1100 | 1100 | 1000 | 500 | 1400 | 230 | 3050 |
| EN VTS P2E 7L/9A EC+S4/32 | 80 | 100 - F65 | 1¼" | 1047 | 1100 | 1100 | 1000 | 500 | 1400 | 230 | 3050 |
| EN VTS P2E 7C/2A EC+S4/11 | 80 | 100 - F65 | 1¼" | 1047 | 1100 | 900 | 1000 | 500 | 1400 | 230 | 3050 |
| EN VTS P2E 7C/3A EC+S4/11 | 80 | 100 - F65 | 1¼" | 1047 | 1100 | 900 | 1000 | 500 | 1400 | 230 | 3050 |
| EN VTS P2E 7C/4A EC+S4/16 | 80 | 100 - F65 | 1¼" | 1047 | 1100 | 900 | 1000 | 500 | 1400 | 230 | 3050 |
| EN VTS P2E 7C/5A EC+S4/21 | 80 | 100 - F65 | 1¼" | 1047 | 1100 | 1100 | 1000 | 500 | 1400 | 230 | 3050 |
| EN VTS P2E 7C/6A EC+S4/21 | 80 | 100 - F65 | 1¼" | 1047 | 1100 | 1100 | 1000 | 500 | 1400 | 230 | 3050 |
| EN VTS P2E 7C/7A EC+S4/32 | 80 | 100 - F65 | 1¼" | 1047 | 1100 | 1100 | 1000 | 500 | 1400 | 230 | 3050 |
| EN VTS P2E 8B/2A EC+S4/11 | 80 | 100 - F65 | 1¼" | 1047 | 1100 | 800 | 1000 | 500 | 1400 | 230 | 3050 |
| EN VTS P2E 8B/3A EC+S4/16 | 80 | 100 - F65 | 1¼" | 1047 | 1400 | 800 | 1300 | 600 | 1400 | 230 | 3050 |
| EN VTS P2E 8B/4A EC+S4/21 | 80 | 100 - F65 | 1¼" | 1047 | 1400 | 900 | 1300 | 600 | 1400 | 230 | 3050 |
| EN VTS P2E 8B/5A EC+S4/32 | 80 | 100 - F65 | 1¼" | 1047 | 1400 | 1100 | 1300 | 600 | 1400 | 230 | 3050 |
| EN VTS P2E 8B/6A EC+S4/32 | 80 | 100 - F65 | 1¼" | 1047 | 1400 | 1100 | 1300 | 600 | 1400 | 230 | 3050 |

IDROFIRE VTS P2E

DIMENSIONI DIMENSIONS



| MODELLO GRUPPO | MANDATA kit valvole | collettore | PILOTA | HM | LAT | LT | LC | L1 | HQ | SQ | LLA |
|-----------------------------|------------------------|------------|-------------|------|------|------|------|-----|------|-----|------|
| MODEL GROUP | DELIVERY valves kit | manifold | JOCKEY PUMP | HM | LAT | LT | LC | L1 | HQ | SQ | LLA |
| VTS P2E | DN | DN | DN AxM | mm | mm | mm | mm | mm | mm | mm | mm |
| EN VTS P2E 8F/2A EC+S4/11 | 80 | 100 - F65 | 1¼" | 1047 | 1400 | 900 | 1300 | 600 | 1400 | 230 | 3050 |
| EN VTS P2E 8F/3A EC+S4/16 | 80 | 100 - F65 | 1¼" | 1047 | 1400 | 900 | 1300 | 600 | 1400 | 230 | 3050 |
| EN VTS P2E 8F/4A EC+S4/21 | 80 | 100 - F65 | 1¼" | 1047 | 1400 | 1100 | 1300 | 600 | 1400 | 230 | 3050 |
| EN VTS P2E 8F/5A EC+S4/21 | 80 | 100 - F65 | 1¼" | 1047 | 1400 | 1100 | 1300 | 600 | 1400 | 230 | 3050 |
| EN VTS P2E 8F/6A EC+S4/32 | 80 | 100 - F65 | 1¼" | 1047 | 1400 | 1100 | 1300 | 600 | 1400 | 230 | 3050 |
| EN VTS P2E 8L/2A EC+S4/11 | 100 | 125 - F80 | 1¼" | 1169 | 1400 | 900 | 1300 | 600 | 1400 | 230 | 3050 |
| EN VTS P2E 8L/3A EC+S4/16 | 100 | 125 - F80 | 1¼" | 1169 | 1400 | 900 | 1300 | 600 | 1400 | 230 | 3050 |
| EN VTS P2E 8L/4A EC+S4/21 | 100 | 125 - F80 | 1¼" | 1199 | 1400 | 1100 | 1300 | 600 | 1400 | 230 | 3050 |
| EN VTS P2E 8L/5A EC+S4/21 | 100 | 125 - F80 | 1¼" | 1199 | 1400 | 1100 | 1300 | 600 | 1400 | 230 | 3050 |
| EN VTS P2E 8L/6A EC+S4/32 | 100 | 125 - F80 | 1¼" | 1199 | 1400 | 1100 | 1300 | 600 | 1400 | 230 | 3050 |
| EN VTS P2E 8C/2A EC+S4/11 | 100 | 125 - F80 | 1¼" | 1169 | 1400 | 900 | 1300 | 600 | 1400 | 230 | 3050 |
| EN VTS P2E 8C/3A EC+S4/16 | 100 | 125 - F80 | 1¼" | 1199 | 1400 | 1100 | 1300 | 600 | 1400 | 230 | 3050 |
| EN VTS P2E 8C/4A EC+S4/21 | 100 | 125 - F80 | 1¼" | 1199 | 1400 | 1100 | 1300 | 600 | 1400 | 230 | 3050 |
| EN VTS P2E 8C/5A EC+S4/32 | 100 | 125 - F80 | 1¼" | 1189 | 1400 | 1300 | 1300 | 750 | 1400 | 230 | 3050 |
| EN VTS P2E 8C/6A EC+S4/32 | 100 | 125 - F80 | 1¼" | 1189 | 1400 | 1300 | 1300 | 750 | 1400 | 230 | 3050 |
| EN VTS P2E 10F/1B EC+S4/11 | 150 | 200 - F125 | 1¼" | 1464 | 1400 | 1100 | 1300 | 600 | 1400 | 230 | 3050 |
| EN VTS P2E 10F/1A EC+S4/11 | 150 | 200 - F125 | 1¼" | 1464 | 1400 | 1100 | 1300 | 600 | 1400 | 230 | 3050 |
| EN VTS P2E 10F/2E EC+S4/11 | 150 | 200 - F125 | 1¼" | 1464 | 1400 | 1100 | 1300 | 600 | 1400 | 230 | 3050 |
| EN VTS P2E 10F/2CD EC+S4/16 | 150 | 200 - F125 | 1¼" | 1454 | 1400 | 1300 | 1300 | 750 | 1400 | 230 | 3050 |
| EN VTS P2E 10F/2BC EC+S4/16 | 150 | 200 - F125 | 1¼" | 1454 | 1400 | 1300 | 1300 | 600 | 1400 | 330 | 3050 |
| EN VTS P2E 10F/3CD EC+S4/21 | 150 | 200 - F125 | 1¼" | 1454 | 1400 | 1300 | 1300 | 600 | 1400 | 330 | 3050 |
| EN VTS P2E 10F/3B EC+S4/21 | 150 | 200 - F125 | 1¼" | 1454 | 1600 | 1300 | 1500 | 750 | 1400 | 330 | 3050 |
| EN VTS P2E 12B/1B EC+S4/11 | 150 | 200 - F125 | 1¼" | 1464 | 1600 | 1100 | 1500 | 750 | 1400 | 230 | 3050 |
| EN VTS P2E 12B/1A EC+S4/11 | 150 | 200 - F125 | 1¼" | 1464 | 1600 | 1100 | 1500 | 750 | 1400 | 230 | 3050 |
| EN VTS P2E 12B/2C EC+S4/21 | 150 | 200 - F125 | 1¼" | 1454 | 1900 | 1300 | 1800 | 750 | 1400 | 330 | 3050 |
| EN VTS P2E 12B/2B EC+S4/21 | 150 | 200 - F125 | 1¼" | 1454 | 1900 | 1300 | 1800 | 750 | 1400 | 330 | 3050 |
| EN VTS P2E 12B/3C EC+S4/32 | 150 | 200 - F125 | 1¼" | 1454 | 1900 | 1300 | 1800 | 750 | 1400 | 330 | 3050 |